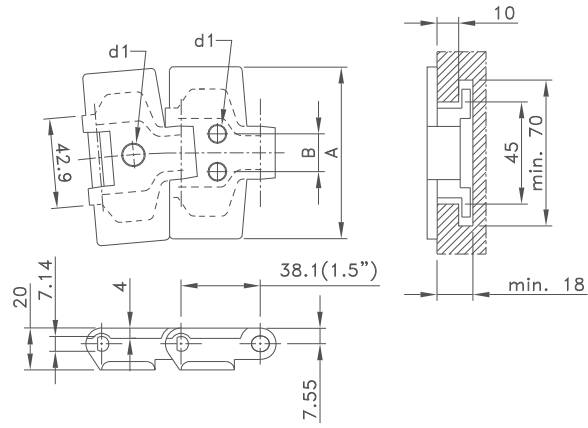
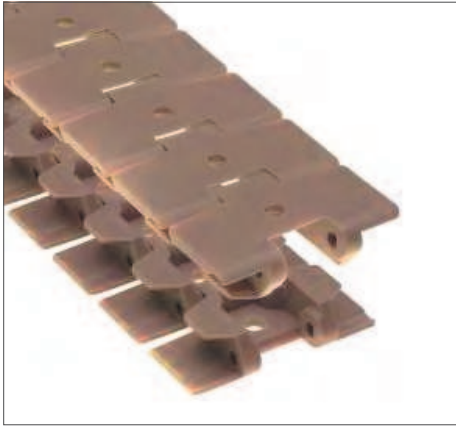


Sideflex Tab Vacuum



| Chain Type | Code Number | Plate Width A | | Weight kg/m | Distance Between Holes B mm | Hole Diameter d1 mm | Sideflex radius (min.) mm | Working Load (max.) N (21°C) | Backflex Radius (min) mm | Plate Thick- ness mm |
|--------------------------|-------------|------------------|------|----------------|---|------------------------------|------------------------------------|---------------------------------------|-----------------------------------|-------------------------------|
| | | mm | inch | | | | | | | |
| LF-Acetal | | | | | | | | | | |
| LF 880 TAB-K325 V1 D6,5* | L0880655912 | 82.5 | 3.25 | 0.94 | - | 6.5 | 457 | 2100 | 40 | 4.0 |
| LF 880 TAB-K325 V1 D8* | L0880684591 | 82.5 | 3.25 | 0.94 | - | 8.0 | | | | |
| LF 880 TAB-K325 V1 D10* | L0880638221 | 82.5 | 3.25 | 0.94 | - | 10.0 | | | | |
| LF 880 TAB-K325 V2 D6** | L0880647851 | 82.5 | 3.25 | 0.94 | 24 | 6.0 | | | | |
| LF 880 TAB-K325 V2 D8** | L0880615331 | 82.5 | 3.25 | 0.94 | 20 | 8.0 | | | | |
| LF 880 TAB-K450 V2 D6** | L0880647861 | 114.3 | 4.50 | 1.08 | 24 | 6.0 | 500 | | | |

* 1 hole

** 2 holes

Standard length: 3.048 m - 10 feet (80 links)

* Minimum order quantity 30.48 m - 100 feet.